



MILDTECH UK LTD

WWW.MILDTECH.CO.UK

# PRODUCT DATA SHEET

## MTSSPG915

### 1kW 900–930MHz ADVANCED SOLID-STATE MICROWAVE POWER GENERATOR



The MTSSPG915 is a high-performance **solid-state** microwave generator, powered by advanced LDMOS (Laterally Diffused Metal Oxide Semiconductor) technology. Operating in the **900-930 MHz frequency range**, this generator delivers continuous wave (CW) **output power up to 1 kW**, providing exceptional efficiency and reliability for industrial and scientific applications.

#### ADVANCED CONTROL & MONITORING

With precise control over power, frequency, and phase, the MTSSPG915 ensures optimal performance for a wide range of applications. Real-time monitoring features enhance safety and operational stability, while the robust design withstands the most challenging industrial environments.

#### PENETRATION DEPTH & APPLICATION SUITABILITY

Operating in the 900-930 MHz frequency range, the MTSSPG915 is ideally suited for applications requiring deeper microwave penetration, such as industrial drying, heating of larger or denser materials, food processing, and agricultural applications. The lower frequency provides superior penetration depth compared to higher frequencies, making it effective for thicker materials and substrates.

**Leverage cutting-edge technology and exceptional reliability with the MTSSPG915, designed to meet your advanced microwave processing needs with unparalleled performance and durability.**

#### KEY FEATURES

**Automatic VSWR, Frequency, and Phase Selection:** Minimize reflections and optimize efficiency with intelligent frequency and phase tracking for seamless operation.

**LDMOS Technology:** Offers superior efficiency, robust thermal management, and durability, ensuring reliable operation even in demanding environments.

**Integrated Power Supply Unit:** Simplifies setup by eliminating the need for external power components.

**Novel Defense Mechanism:** Handles 100% reflections effortlessly, safeguarding the system against breakdown and ensuring continuous operation under extreme load mismatch conditions.

**Convenient Connectivity:** Features a 7/16 DIN output connector for straightforward integration with coaxial cables or waveguides.

**Efficient Cooling:** Compatible with water cooling systems, ensuring stable and consistent performance under high-power conditions.

**PLC Integration:** Fully supports the public Modbus TCP protocol, enabling seamless connectivity with major PLC systems, including Siemens, Mitsubishi, and Beckhoff.

**Built-in GUI for Seamless Operation:** Each SSPG comes with an integrated graphical user interface (GUI) that allows for easy control of power, frequency, and phase directly from a laptop or PC. The GUI offers both manual and automatic control options for frequency and phase sweeping, providing users with the flexibility to tailor the process to specific requirements.



Phone.

(+44)01952 948604



Email.

info@mildtech.co.uk



Address

Unit 6B Ni. Park, Newport, Shropshire, TF10 9LH



MILDTECH UK LTD

WWW.MILDTECH.CO.UK

# PRODUCT DATA SHEET

## MTSSPG915

Item	Specification	Remark
Frequency	900 ~ 930 MHz	
Bandwidth	30 MHz	
CW Output Power	1000W (60dBm)	Typical
Output Power Accuracy and Stability	± 5%(typ.)	RF output power from 1 to 100%
Efficiency (P <sub>o</sub> = 1000W)	± 10%(typ.)	RF output power from 1 to 10%
	56%(typ.)	P <sub>o</sub> = 1000W
Load Mismatch Ruggedness for Full Power	∞	VSWR
<b>Function</b>		
Power Control	10 ~ 1000W	Step : 10W
Phase Control	0 ~ 360	Step : 1.40625°
Frequency Control	900 ~ 930MHz	Step : 100KHz
<b>Special Function</b>		
VSWR Tracking	Optimum operating frequency tracking function	Step : 1MHz
Soft Start	Output Power Operation Profile Functions (Ensure Operational Stability)	Customizable



Phone.

(+44)01952 948604



Email.

info@mildtech.co.uk



Address

Unit 6B Ni. Park, Newport, Shropshire, TF10 9LH

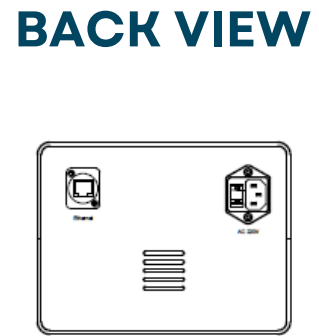
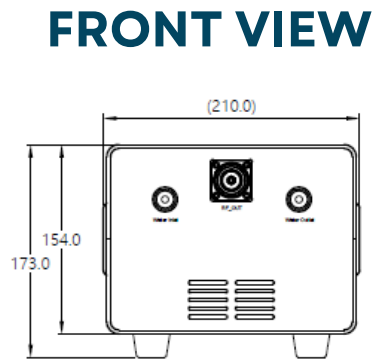
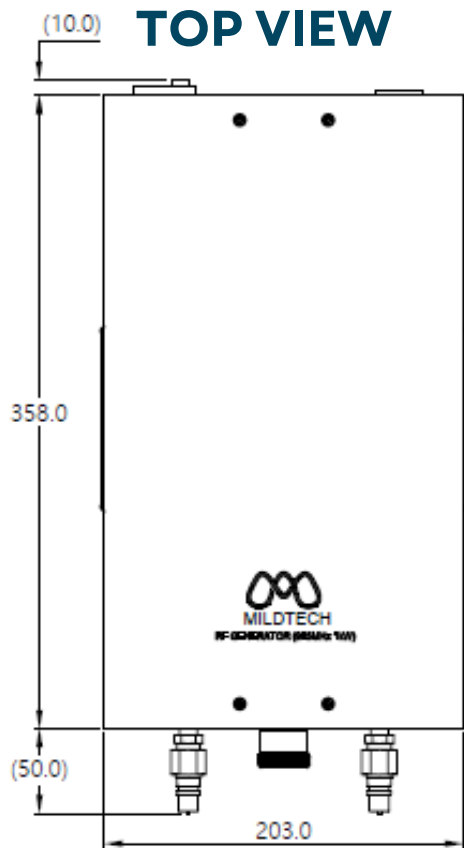


MILDTECH UK LTD

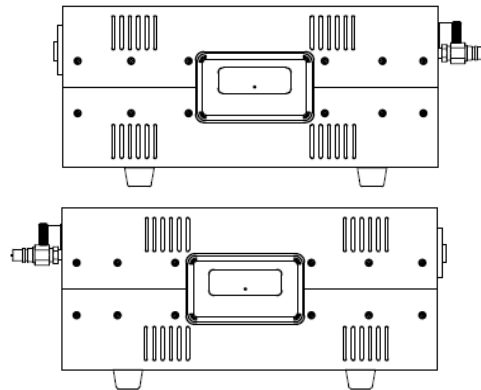
WWW.MILDTECH.CO.UK

# PRODUCT DATA SHEET

## MTSSPG915



### SIDE VIEWS



Phone.

(+44)01952 948604



Email.

info@mildtech.co.uk



Address

Unit 6B Ni. Park, Newport, Shropshire, TF10 9LH